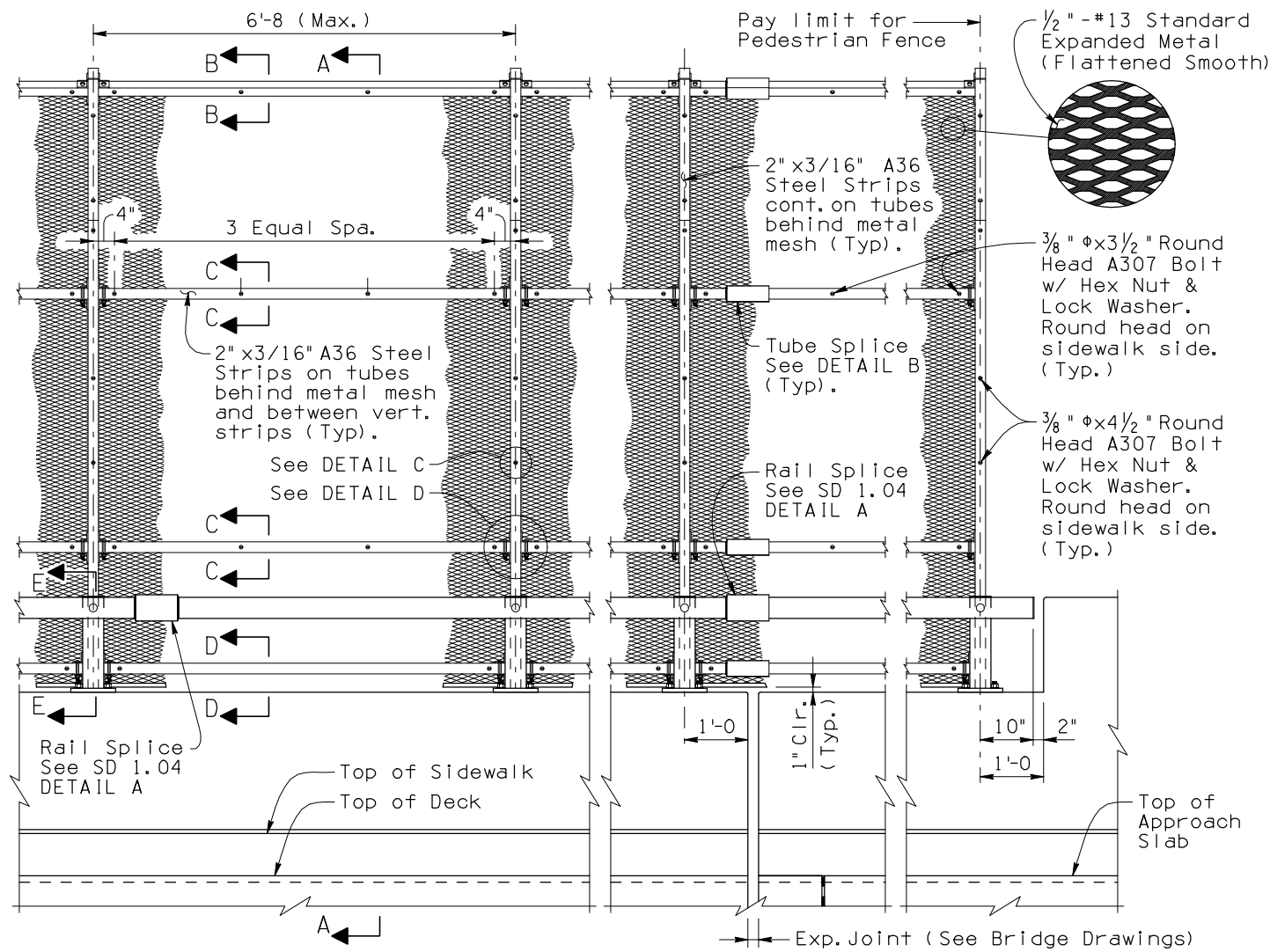


Note to Designer: The information presented in this Standard Detail has been prepared in accordance with recognized engineering principles and is for general use. It should not be used for specific application without competent professional examination and verification of its suitability and applicability by a licensed professional engineer. Contents within the inner border line shall not be altered.

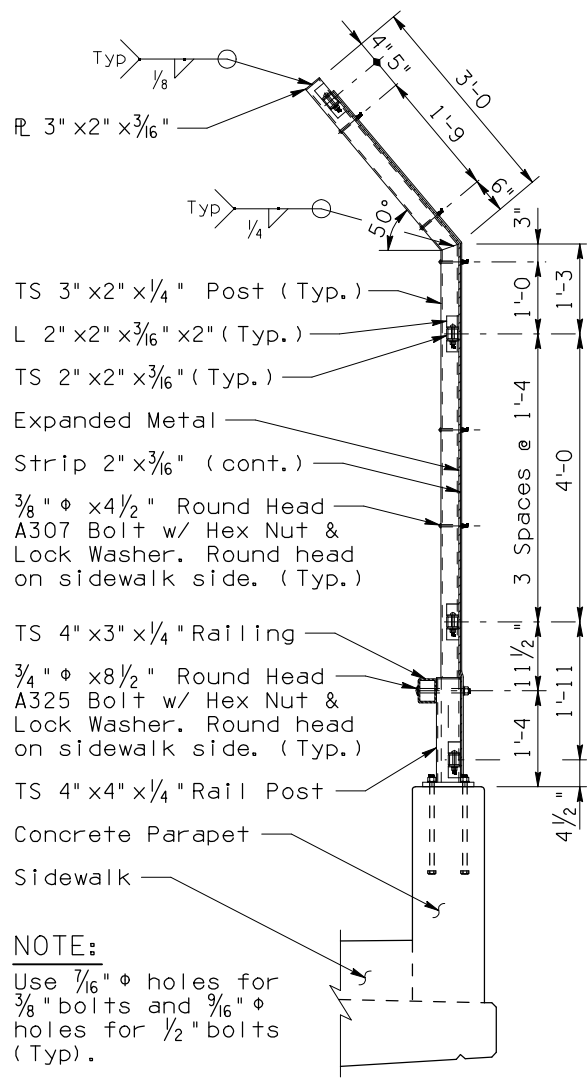
NO.	DATE	DESCRIPTION OF REVISIONS
1	8-99	Original Issue
2	6/01	Revise fence, modify bolts to A307, add rail splice, & post weld
3	12-00	Lower fence, modify bolts to A307, add rail splice, & post weld
4	3-09	General Update, Revised material specs.



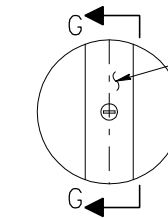
TYPICAL PANEL ELEVATION

ELEVATION AT EXPANSION JOINT

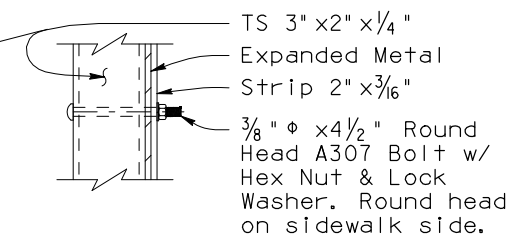
ELEVATION AT END POST



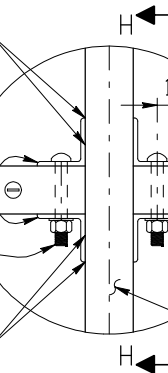
SECTION A-A



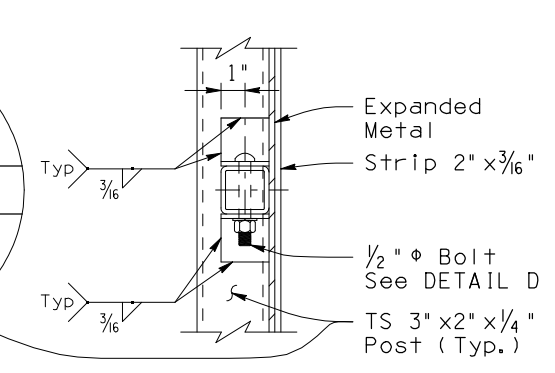
DETAIL C



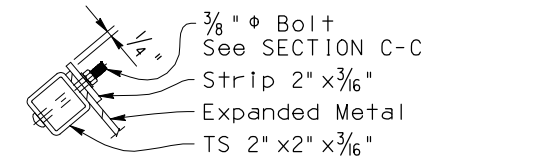
SECTION G-G



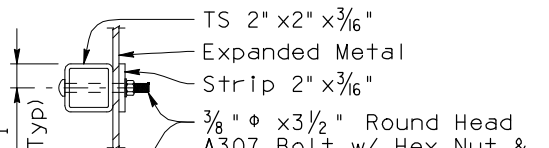
DETAIL D



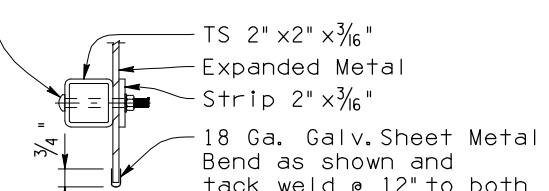
SECTION H-H



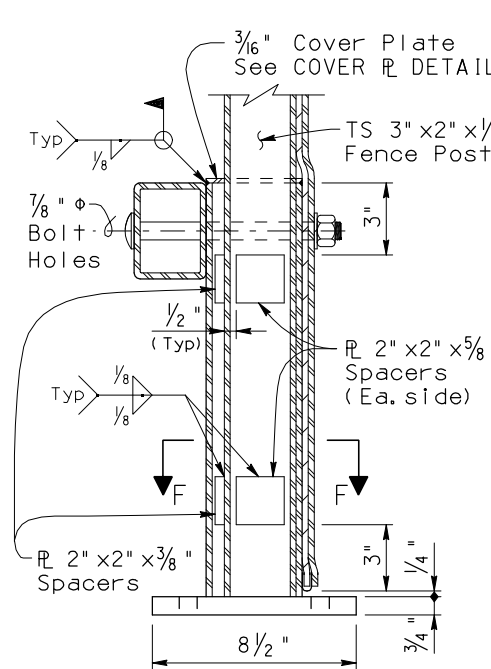
SECTION B-B



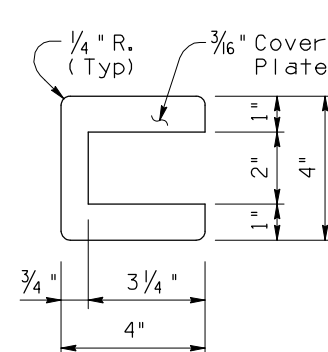
SECTION C-C



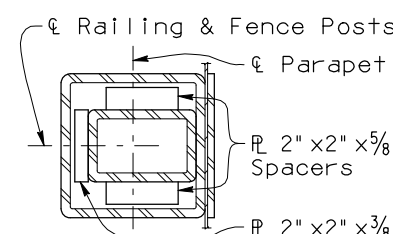
SECTION D-D



SECTION E-E

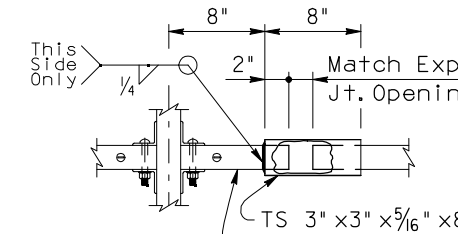


COVER R DETAIL



SECTION F-F

NOTE:
Weld cover plate to top of rail post after installing fence post.



DETAIL B

GENERAL NOTES:

Construction Specification - Arizona Department of Transportation Standard Specifications for Road and Bridge Construction, latest Edition.

Design Specifications - AASHTO LRFD Bridge Design Specifications, 4th Edition 2007.

Structural tubing (TS) shall be ASTM A500 Grade B. Expanded metal shall conform to ASTM F1267 Type 11, Class 2, Grade A. Expanded metal shall be flattened smooth (No sharp edges). All other structural steel shall conform to ASTM A36 unless noted otherwise. All fence components and hardware shall be Galvanized.

All welding shall conform to the requirements of the American Welding Society, ANSI/AASHTO/AWS D1.5 Bridge Welding Code, latest Edition.

See Bridge Drawings for location and length of pedestrian fence.

See SD 1.04 for details of concrete parapet, sidewalk, railing and applicable notes.

Dimensions shall not be scaled from drawings.

Payment for PEDESTRIAN FENCE is included in the pay item for COMBINATION PEDESTRIAN-TRAFFIC BRIDGE RAILING (SD 1.04) (Item No. 6011132).

DESIGN APPROVED <i>Shafiq U. Hasan</i>		ARIZONA DEPARTMENT OF TRANSPORTATION INTERMODAL TRANSPORTATION DIVISION BRIDGE GROUP STRUCTURE DETAIL	
APPROVED FOR DISTRIBUTION <i>Teon A. Nehme</i>		PEDESTRIAN FENCE FOR BRIDGE RAILING SD 1.04	
ROUTE	PROJECT NO.	FA NO.	DRAWING NO. SD 1.05
LOCATION			SHEET NO. OF