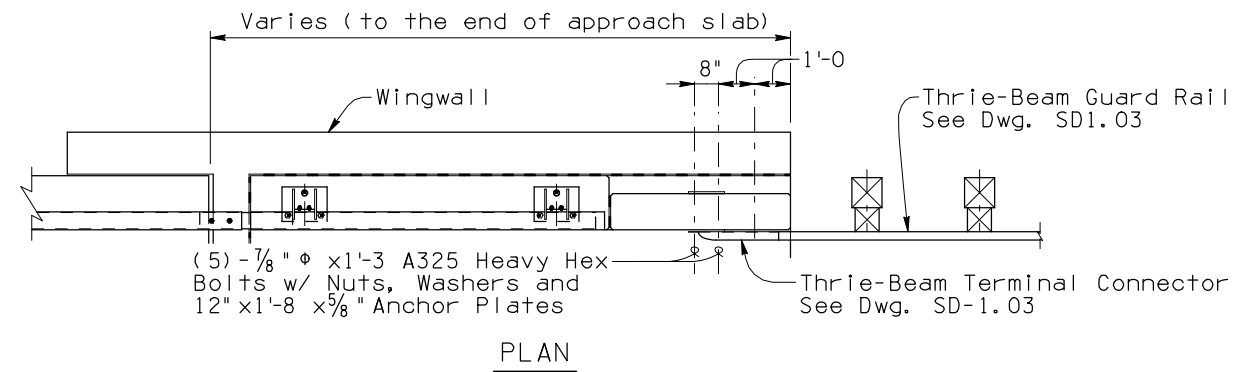
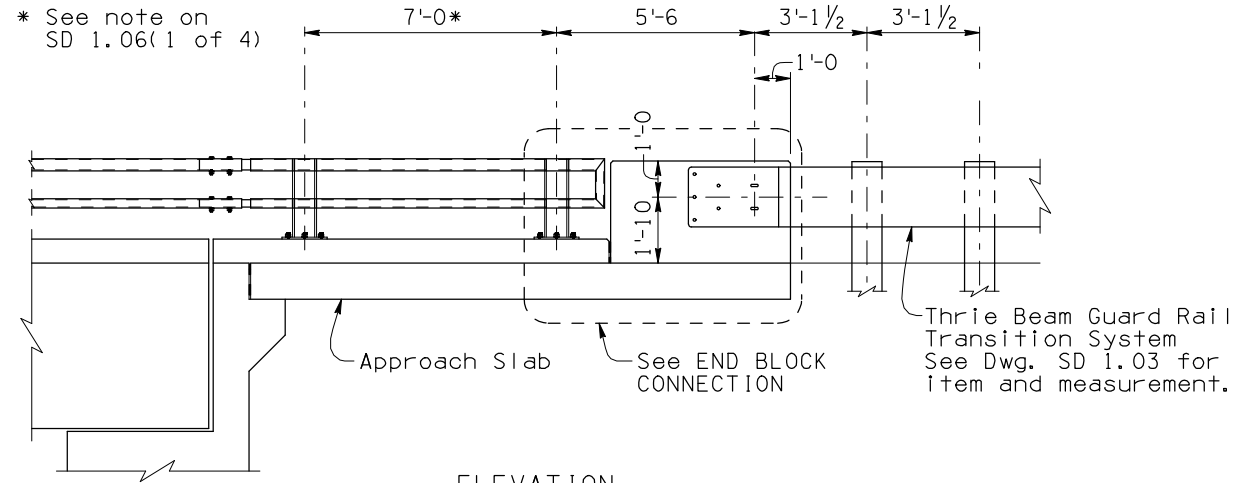


Note to Designer:
 The information presented in this Standard Detail has been prepared in accordance with recognized engineering principles and is for general use. It should not be used for specific application without competent professional examination and verification of its suitability and applicability by a licensed professional engineer. Contents within the inner border line shall not be altered.

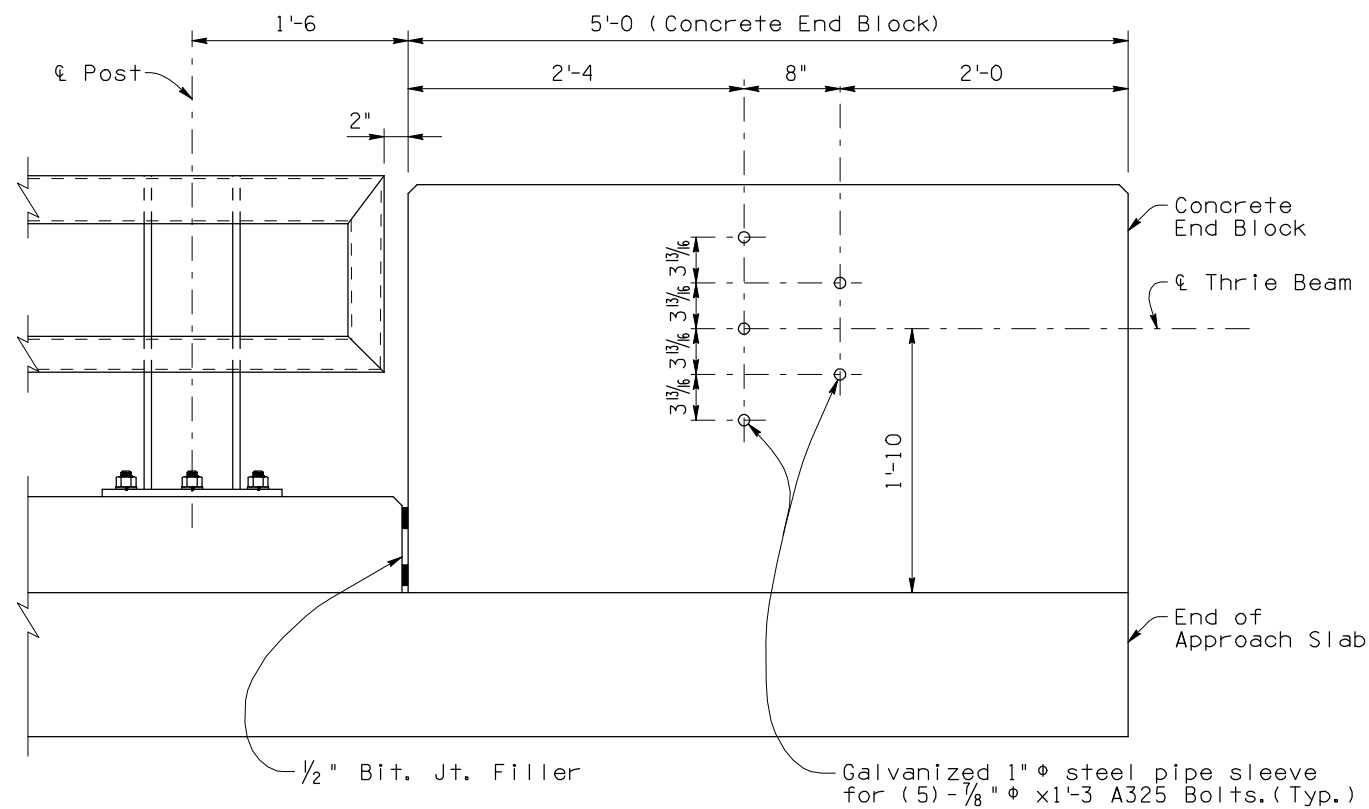
NO.	DESCRIPTION OF REVISIONS	MADE BY	DATE
1	Original Issue		8-99
2	Guardrail height	6.U.H.	7-01
3	Curb details, Thrie beam connection location, General Update	6.U.H.	6-09
4			



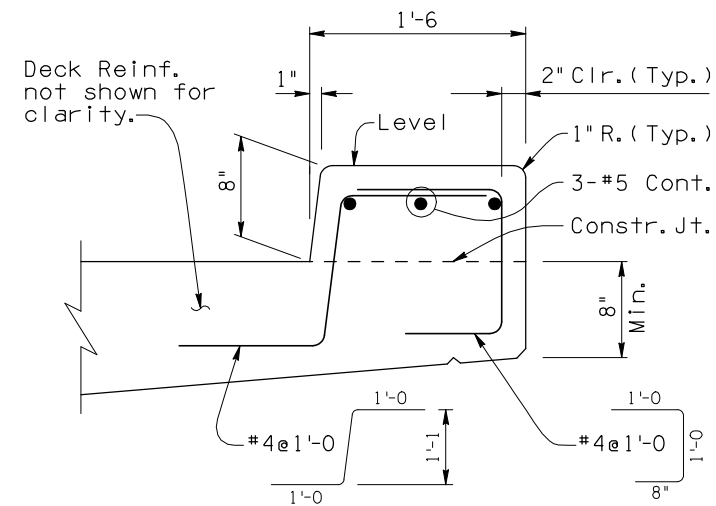
PLAN



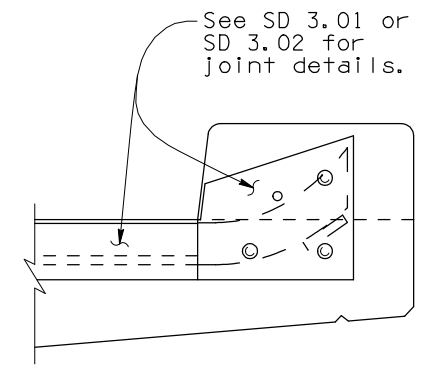
ELEVATION



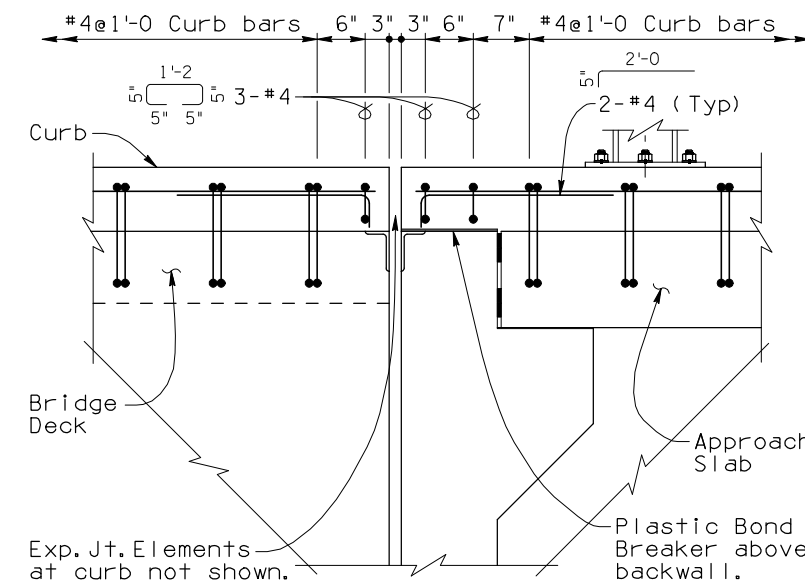
END BLOCK CONNECTION



TYPICAL CURB SECTION



CURB DETAIL AT EXPANSION JOINT



CURB DETAIL AT ABUTMENT

DESIGN APPROVED <i>Shafiq U. Hasan</i>		ARIZONA DEPARTMENT OF TRANSPORTATION INTERMODAL TRANSPORTATION DIVISION BRIDGE GROUP STRUCTURE DETAIL	
APPROVED FOR DISTRIBUTION <i>Tean A. Nehme</i>		TWO TUBE BRIDGE RAIL	
ROUTE	PROJECT NO.	FA NO.	DRAWING NO. SD 1.06(4 of 4)
LOCATION			SHEET NO. OF